



GRAMMER

PREMIUM SEATING SYSTEMS



MSG 95G/741

INNOVATIVE AIR SUSPENSION AND A SPACIOUS
DESIGN PROVIDE SUPERIOR COMFORT



AGRICULTURE



CONSTRUCTION



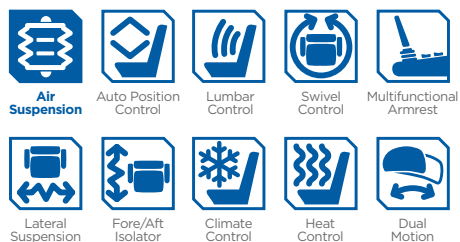
MATERIAL
HANDLING



TURF CARE

MSG 95G/741

Combining our premium air suspension with a luxurious, extra-wide seat cushion ensures a comfortable ride in a wide variety of challenging applications, including agriculture, construction, material handling and turf care.

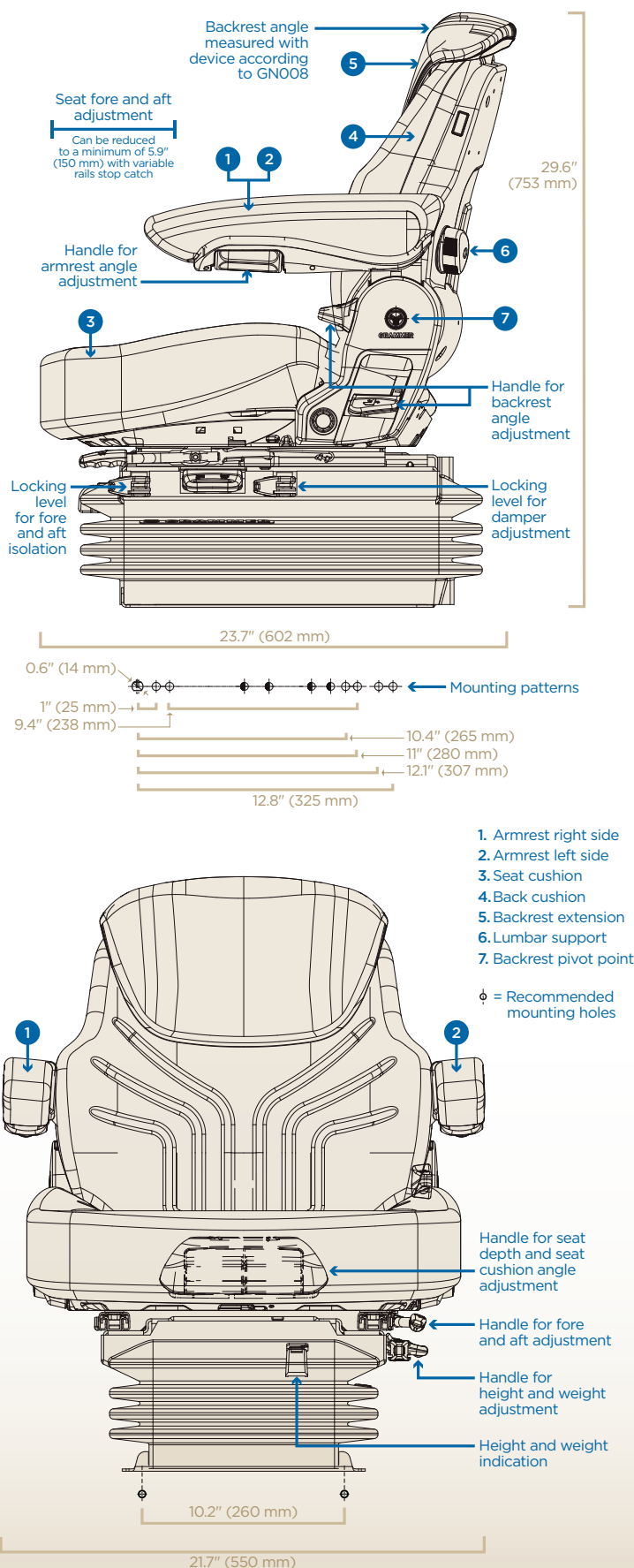


● = FEATURES ○ = OPTIONAL FEATURES

Air suspension (12V or 24V compressor)	●
Suspension stroke up to 7.0" (180 mm)	●
Weight adjustment range - 110-285 lbs. (50-130 kg)	●
Weight indicator	●
Fore/aft adjustment	●
Height adjustment up to 3.1" (80 mm)	●
Lumbar support (mechanical or pneumatic)	●
Adjustable backrest extension	○
Adjustable backrest angle (-10° to +24°)	●
Swivel (0° to 360°)	○
Retractable seat belt (2-point)	○
Seat depth/tilt	○
Adjustable or foldable armrests	○
Document box or net	○
Side-to-side isolator	○
Fore/aft isolator	○
Adjustable damper	○
Active climate control	○
Operator presence switch	○
Comfort module	○
Cut & sew style cushions for added comfort and style	○
Control carrier console	○
Extra-wide seat cushion width of 21.6" (550 mm)	●
Standard seat cushion width of 20.8" (530 mm)	○
Narrow seat cushion width of 18.9" (480 mm)	○
Dynamic Dampening System™	○
Low frequency	○

ADDITIONAL MSG 95 SERIES OPTIONS

MSG 95A suspension - automatic weight adjustment	○
MSG 95EL - electronic weight adjustment	○
MSG 95EAC - electronic active suspension	○



GRAMMER INC.

231 Laney Road • Shannon, MS 38868
800-FOR-SEATS • Fax: 715-377-0200
usa.grammer.com



GRAMMER

PREMIUM SEATING SYSTEMS



MSG 95G/742

INDUSTRY-LEADING AIR SUSPENSION
DELIVERS UNRIVALED COMFORT



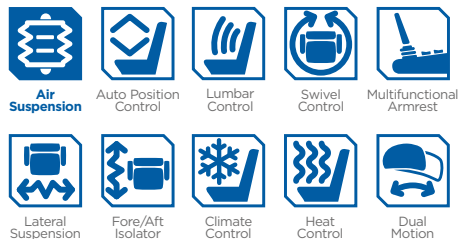
AGRICULTURE



CONSTRUCTION

MSG 95G/742

Our premium air suspension has been meticulously engineered to absorb the challenging vibrations typical of heavy tractors and construction equipment.

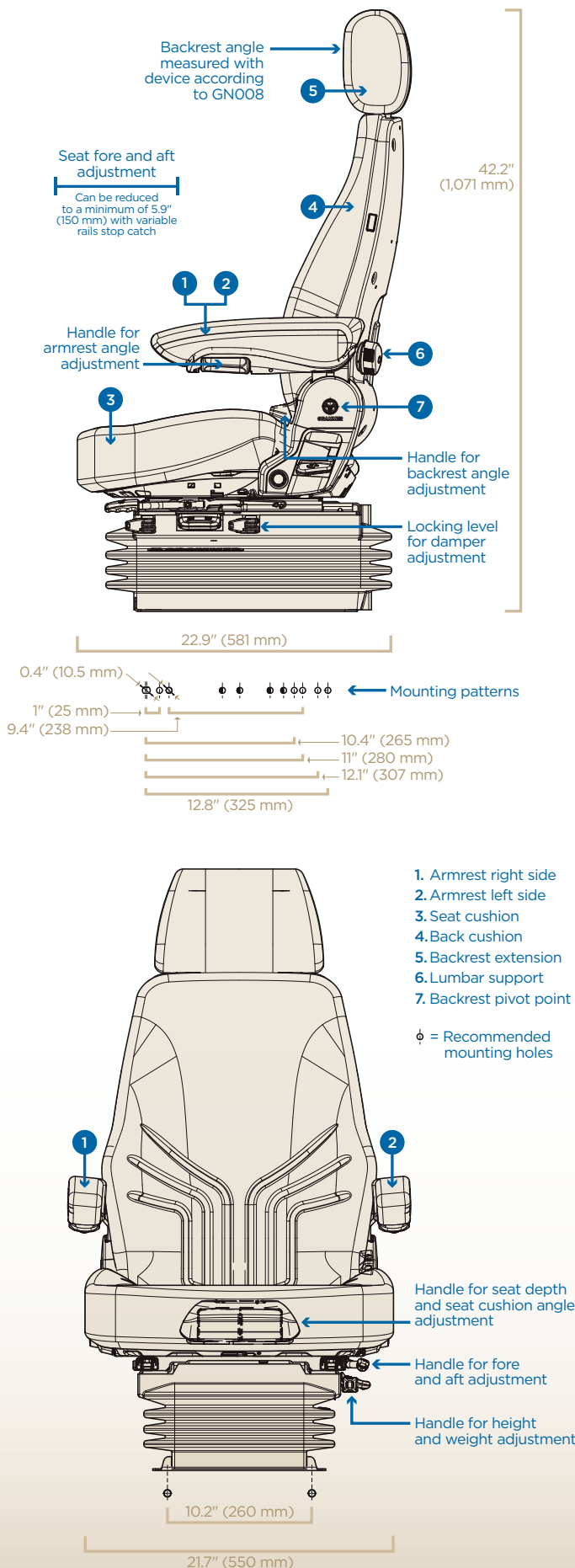


● = FEATURES ○ = OPTIONAL FEATURES

Air suspension (12V or 24V compressor)	●
Suspension stroke up to 7.0" (180 mm)	●
Weight adjustment range - 110-285 lbs. (50-130 kg)	●
Fore/aft adjustment	●
Height adjustment up to 3.1" (80 mm)	●
Lumbar support (mechanical or pneumatic)	●
Adjustable headrest	○
Weight indicator	●
Adjustable backrest angle (-10° to +24°)	●
Swivel (0° to 360°)	○
Retractable seat belt (2-point, 3-point or 4-point)	○
Seat depth/tilt	○
Adjustable or foldable armrests	○
Document box or net	○
Side-to-side isolator	○
Fore/aft isolator	○
Adjustable damper	○
Active climate control	○
Operator presence switch	○
Control carrier console	○
Comfort module	○
Cut & sew style cushions for added comfort and style	○
Extra-wide seat cushion width of 21.6" (550 mm)	●
Standard seat cushion width of 20.8" (530 mm)	○
Narrow seat cushion width of 18.9" (480 mm)	○
Dynamic Dampening Suspension™	○
Low frequency	○

ADDITIONAL MSG 95 SERIES OPTIONS

MSG 95A suspension - automatic weight adjustment	○
MSG 95EL suspension - electronic weight adjustment	○
MSG 95EAC suspension - electronic active suspension	○



GRAMMER INC.

231 Laney Road • Shannon, MS 38868
800-FOR-SEATS • Fax: 715-377-0200
usa.grammer.com