



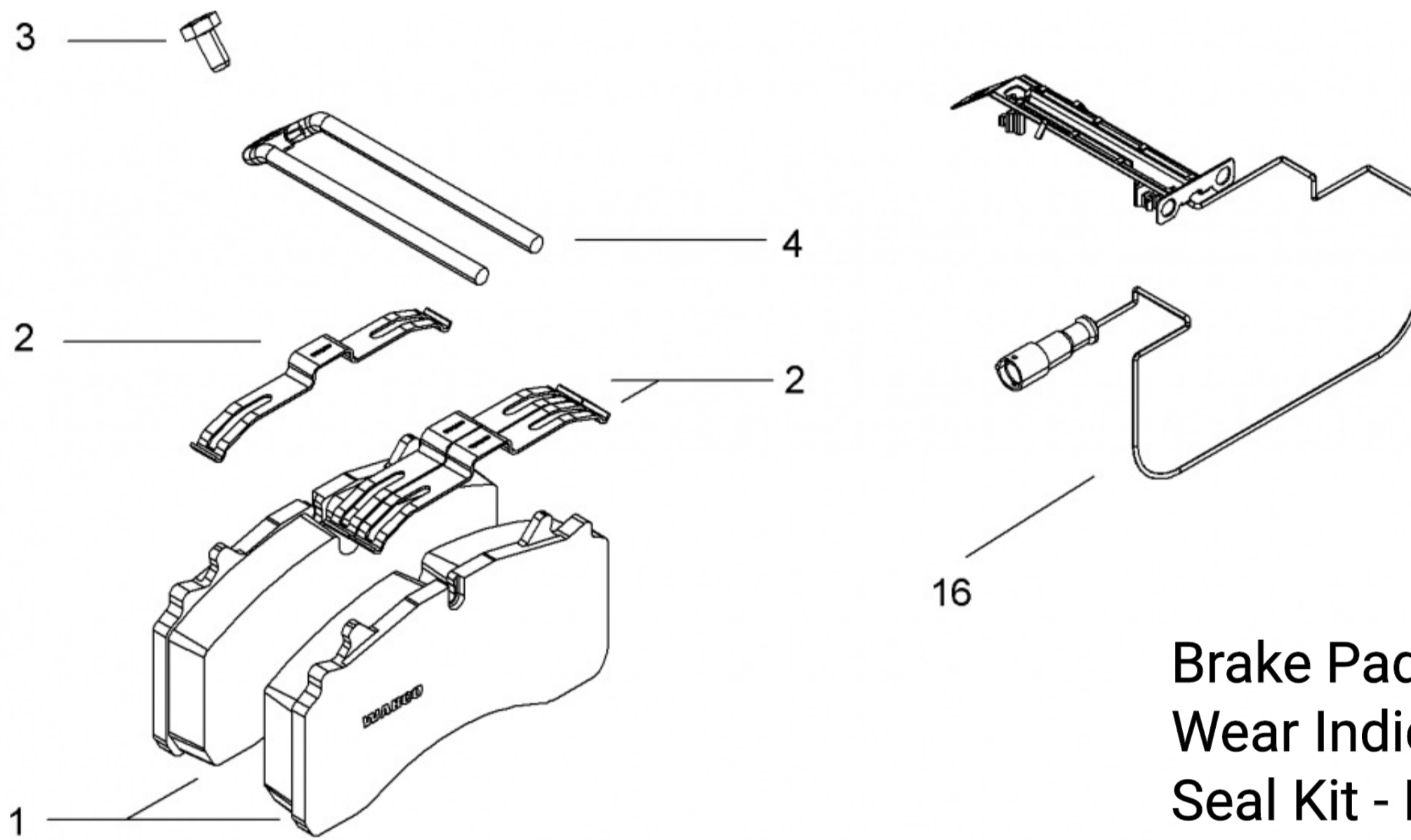
220 Albany Turnpike, Box 1039, Canton, CT 06019

860.693.0731

800.569.1291

Fax 860.693.2197

WABCO PAN25 Disc Brake Parts



Brake Pad Kit - Items 1, 2, 3, 4 and 5

Wear Indicator Kit - Item 16

Seal Kit - Items 5 through 15

