

Installation & Maintenance Manual

AIR ENGAGED FRICTION BRAKES



Catalog Products:

[B2F2R-STH](#)

[B3F2R-STH](#) & [B3F2R-STL](#)

[B4F2R-STH](#) & [B4F2R-STL](#)

[B5F2R-STH](#) & [B5F2R-STL](#)

[B6F2G-STH](#) & [B6F2G-STL](#)

[B8F2K-STH](#) & [B8F2K-STL](#)

[BAF2K-STH](#) & [BAF2K-STL](#)

*And non-catalog variations
of this brake design.*

CLICK on product numbers above
to obtain the product detail sheet
which includes dimensional data
helpful during installation.

Mach III Technical Support

Toll Free: 866-291-0849

International: 001-859-291-0849

Email: engineering@machiii.com
www.machiii.com

Detail sheets and 3D models are available on the Mach III website:

<http://www.machiii.com/Products/Brakes/Industrial-Friction-Brake/Air-Set-Brakes.asp>

Please contact Mach III to obtain assembly and parts list drawings.



These products include rotating equipment and should be guarded according to OSHA requirements and other Federal, State and local regulations. It is the responsibility of the user to provide the necessary guarding.



I. New Brake Torque

New brake torque is approximately 40% less than rated design torque until the friction and drive discs are worn in (lapped, burnished). The length of time for wear-in to occur depends upon the application.

II. Brake Installation

A. SHAFT PREPARATION

Mach III Clutch products are bored to fit a precision plug gauge for the specified bore size and should slide fit the mating shaft. Make certain that the shaft is free of burrs or nicks. It may be necessary to file or sand the shaft to assure a slide fit. **Never hammer the brake onto the shaft.** Hammering on the brake may cause evident damage or subtle injury that will shorten the wear life of the unit, and will void the warranty.

- (1) Apply the anti-seize (E-Z Break[®]) lubricant from the packet provided, or equivalent, to the shaft.
- (2) Insert key (customer supplied) onto the shaft.
- (3) Slide brake over key on the shaft.
- (4) Tighten set screws to secure the brake to the shaft.

B. MOUNTING

If the surface on which the brake will be mounted to *is absolutely perpendicular* to the shaft, drill and tap holes for the number and type of clearance holes on corresponding bolt circle. Tighten all bolts uniformly to the torque recommended for the bolt size using proper Loctite[®] (or equivalent) compound to assure a permanent mount. If the mounting plate *is not perpendicular* to the shaft, it is recommended that the brake be mounted using shoulder bolts in holes, or pins in slots on corresponding bolt circle to allow the brake housing to float.

C. AIR LINE CONNECTION

Refer to the dimensional spec sheet for NPT size to obtain correct fitting. Install fitting using a thread sealing compound to prevent air leakage. Connect a flexible air line to the fitting. **Do not use rigid piping.** Air supply should be both filtered and regulated. Contamination in the air supply may damage the brake.

D. FINAL INSPECTION & TESTING

Cycle the brake with the machine off to check for air leaks and to ensure proper engagement and release. After a short run, check set screws and mounting screws.

III. Brake Operation

The maximum operating pressure should not exceed 80 PSI. Operation at pressures greater than that required for proper function will decrease the life of the bearings.

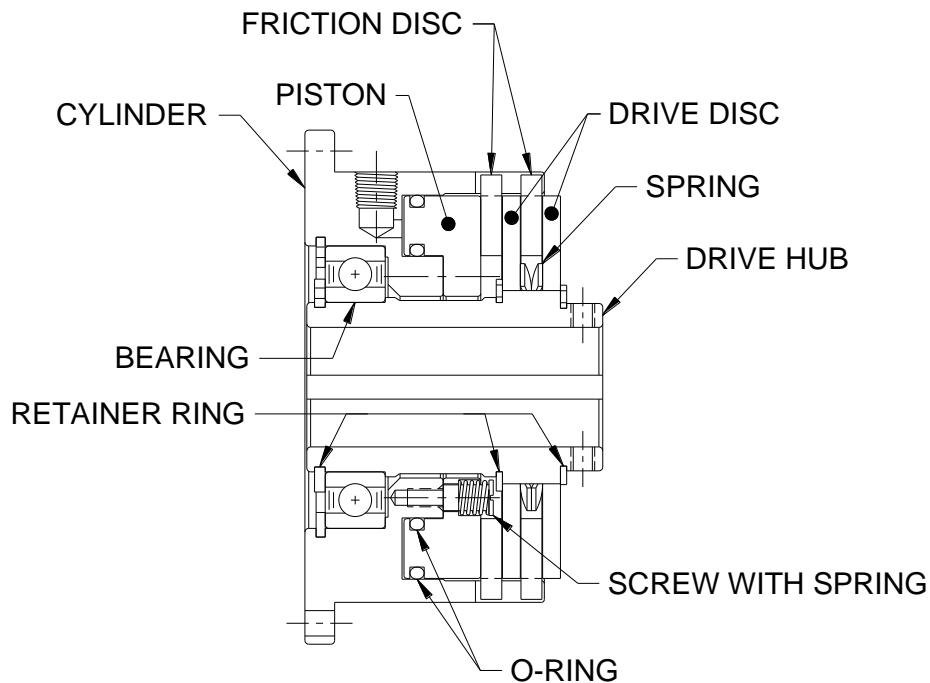
Special Note Regarding Friction Disc Contamination:

The friction material used in this product will absorb oil, water, chemicals and other contaminants. Depending on the type of contamination, brake may either seize up entirely or lose torque capacity. If friction discs become contaminated, they should be replaced. See repair kit ordering information below. If application requires exposure to contamination consult factory for optional covers.

IV. Routine Maintenance

When installed and operated according to the preceding guidelines, Mach III Clutch products should require little or no routine maintenance. A repair kit is available which contains all parts subject to typical wear: friction discs, springs and O-rings.

V. Parts diagram



Repair Kit:	Part number = Brake Product Number + "-RPRK" (e.g. B3F2R-STH-RPRK)
Additional Parts:	Contact Mach III to obtain a complete listing of additional parts kits available for your specific brake. Please reference product number when calling or e-mailing.
Repair services:	Factory repair is available. A return materials authorization (RMA) number must be obtained prior to sending any unit in for repair

VI. Repair Kit Installation Procedure

<p>Tools Required</p> <ul style="list-style-type: none"> Hex Wrench Set Rubber Mallet or similar soft face hammer Retainer (snap) Ring Pliers Scraper 	<p>Compounds Required</p> <ul style="list-style-type: none"> Grease O-ring Lubricant Loctite® #609 Retaining Compound Anti-Seize Lubricant (for re-installation)
--	---



Repair Kit Installation Procedure (continued)

A. COMPLETE DISASSEMBLY

- (1) Remove retainer rings from both ends of drive hub.
- (2) Remove drive discs, spring and friction discs.
- (3) Place brake on its side.
- (4) Remove air cylinder with bearing from drive hub. The air cylinder bearing is a slide fit on the drive hub and is affixed to the drive hub with a thin coating of Loctite®. You may need to strike the hub, or an object inserted in the hub with a rubber mallet or similar soft face hammer to break the Loctite® seal.
- (5) Next, remove the screws with springs retaining the piston.
- (6) Separate piston from cylinder.

B. FRICTION DISC & SPRING REPLACEMENT ONLY

- (1) Remove brake from shaft and place in vertical position with drive disc end facing upward.
- (2) Remove retainer ring, drive discs, springs and friction discs.
- (3) Drive discs should be clean, dry and free of burrs or nicks.
- (4) Reassemble drive & friction disc section according to reference drawing using new friction discs, spring and steel drive discs as necessary.
- (5) Assure that drive discs move freely on the drive hub and that the friction discs move freely in the sleeve or ring gear.

C. O-RING REPLACEMENT

- (1) Follow COMPLETE DISASSEMBLY instructions above.
- (2) Inspect O-ring seals. If worn, replace using new O-rings that have been lubricated with an O-ring lubricant such as Dow Corning® #4 Compound or equivalent.
- (3) A very *thin* coat of O-ring lubricant should also be applied to the inner walls of the cylinder.

D. REASSEMBLY

- (1) Replace the piston in the cylinder.
- (2) Make sure the holes in the piston are aligned with corresponding tapped holes in the cylinder.
- (3) Replace the studs with springs.
- (4) Inspect the inside diameter of the bearing in the air cylinder. If Loctite® residue is present, gently scrape and assure that the surface is clean.
- (5) Apply a thin coat of Loctite® #609 retainer compound to the inside diameter of the air cylinder bearing, then slide the air cylinder/bearing sub-assembly over the drive hub. Applying excessive Loctite® will make future disassembly more difficult.
- (6) Reassemble drive & friction disc section according to reference drawing using new friction discs, springs and steel drive discs as necessary.
- (7) Make sure that all components are well seated and replace the outer retainer ring.
- (8) See "Brake Installation" portion of these instructions for the proper procedure for reinstalling the brake.



Technical assistance is available by contacting Mach III Clutch, Inc.

Mach III Product Warranty
<http://www.machiii.com/Resources/Warranty-Info.asp>

Mach III Clutch, Inc.
101 Cummings Drive • Walton, KY 41094
Toll free 866.291.0849 • International 859.291.0849 • Fax 859.655.8362
info@machiii.com • engineering@machiii.com • www.machiii.com