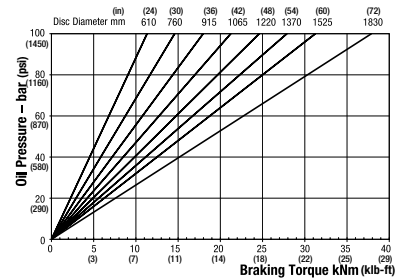
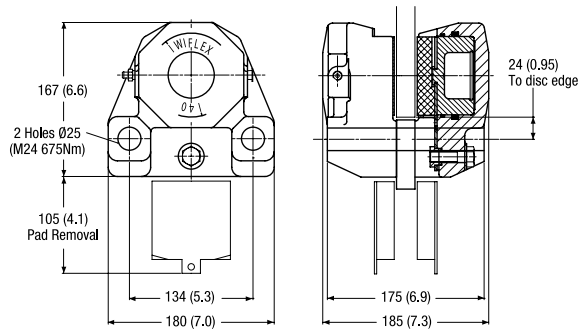


## T40 Hydraulically Applied



Maximum Pressure 100 bar (1450 psi)  
 Maximum Braking Force = 45kN @ 100 bar (10116.40 lbf @ 1450 psi)  
 Weight of caliper - 18.6kg (41.08 lb)  
 Volume displacement per 1mm (0.04 in) stroke at each pad = 15ml (0.51 fl oz)

The Twiflex T40 disc brake caliper is split caliper design suitable for use with a minimum disc thickness of 20mm (0.79 in). The modules are mounted each side of a central mounting plate of the same thickness as the brake disc. Minimum disc diameter is 300mm (11.81 in).

Normally one or two calipers are used per disc, but the number may be increased depending on disc size. The brakes may be positioned at any angle around the periphery of the disc. A

range of brake discs is available from Twiflex (see Disc and Hub Assemblies).

The ratings shown on the graph are based on fully bedded in and conditioned brake pads with a nominal friction coefficient  $\mu = 0.4$ . Twiflex disc brakes must be used with Twiflex asbestos free brake pads. Effective disc radius = actual radius (m) - 0.045m (0.15 ft).