

# Drum Brakes



**PINTSCH BUBENZER**  
is certified according to  
DIN EN ISO 9001:2008



Brake drum diameter in mm	EBH Brake torque in Nm	EBN Brake torque in Nm
200	~50	~50
250	~100	~100
315	~150	~200
400	~200	~300
500	~350	~400
630	-	~550
710	-	~700



**DIN**

Acc. to DIN 15435



**Reliable**



**High Performance**



**Robust Design**



**Tried and Trusted**

# Description Drum Brakes



## Main Features

According to DIN 15435 standard
Continuously adjustable brake spring enclosed in a square tube with torque scale
Self-lubricating bushings mean brakes are easy to service, no greasing necessary
Equal air gap by adjustable lever stops
Up to size 400: Levers and base plate made of nodular cast iron
From size 500: Levers and base plate made of welded steel
Different thrusters
Aluminum brake shoes acc. DIN 15435 Bl. 2 with non-asbestos, organic linings
Shoe clamping springs which prevent brake shoes from tilting when released
Pins and main spindle of stainless steel
Uncoated parts and screws galvanized and plated

## Options

Automatic wear compensator
Limit switch release control
Limit switch wear control
Limit switch manual release
Manual release lever with or w/o stop
Monitoring systems (e.g. VSR/CMB)
Brake drums with hubs or couplings
Weather execution (special paint and coating) for outdoor use

## Thrusters, Technical Data

Thruster Type	Power (W)	Curr. (A) at 400 V	Weight (kg)
Ed 23/5	165	0,5	10
Ed 30/5	200	0,5	14
Ed 50/6	210	0,5	23
Ed 80/6	330	1,2	24
Ed 121/6	330	1,2	39
Ed 201/6	450	1,3	39
Ed 301/6	550	1,4	40

Data supplied by thruster manufacturer, please take higher start current into consideration, fuses to be minimum 2A



### Please Note

We supply a detailed operating manual with every order. Nevertheless, we would point out that brakes are only as safe as the servicing and maintenance performed while they are in operation. The guarantee for the correct functioning of our brakes is only valid if the user adheres to the German DIN standard 15434 part 2 (drum and disc brakes, servicing and maintenance in operation), or to comparable standards in his own country.



### PINTSCH BUBENZER Service

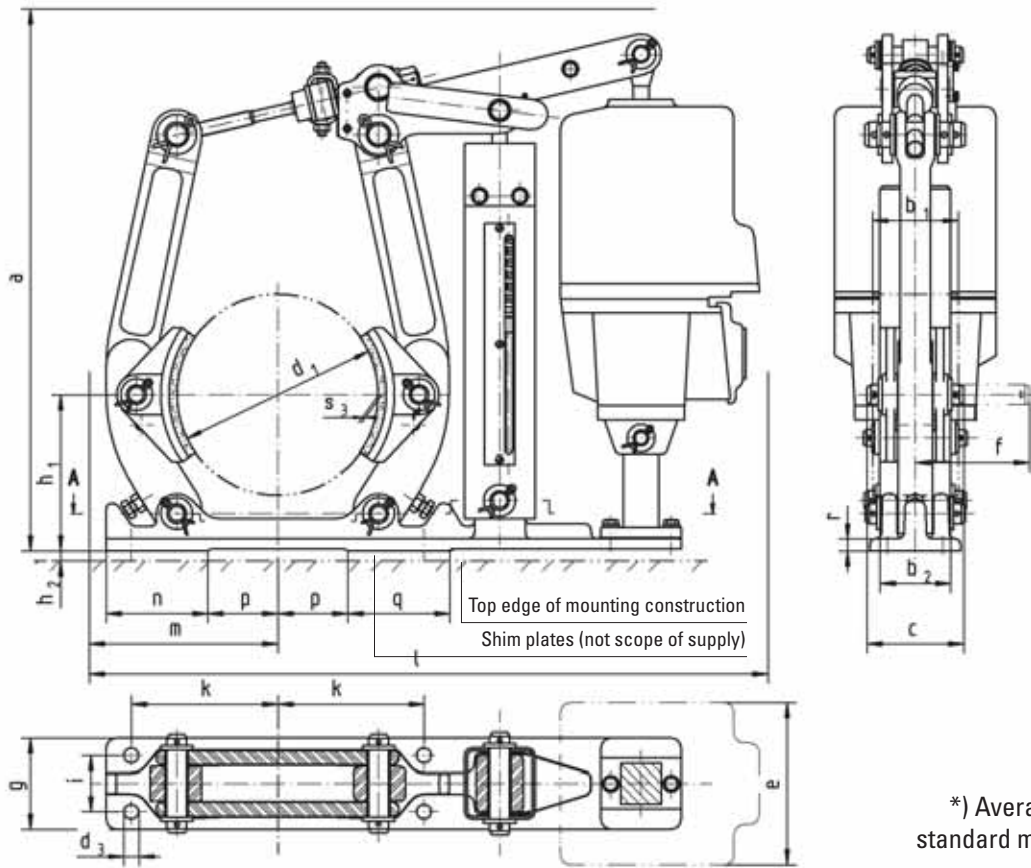
This includes the verification of the brake selection, if required. A detailed questionnaire is provided for this purpose. Installation and commissioning on-site by PINTSCH BUBENZER service engineers is possible. Drawings as DWG/DXF files for your engineering department are available upon request.

# Drum Brake Type EBN

Dimensions (DIN 15435) and technical data



Rev. 01-10



f = required space for removing brake shoe pin

\*) Average friction factor of standard material combination

All dimensions in mm  
Alterations reserved without notice

Brake type	Thruster type	$M_{BR\ max} (Nm)$ $\mu=0,4^*$	$a_{max}$	$b_1$	$b_2$	c	$d_1$	$d_3$	e	f	g	$h_1$	$h_2$	i	k	$l_{max}$	m	n	p	q	r	$s_3$	kg	
EBN 200-23/5	Ed 23/5	300	500						160							665	185	100	70	100	12	1	22	
EBN 200-30/5	Ed 30/5	380	563	75	70	96	200	14	160	115	90	155	5	55	145	665	185	100	70	100	12	1	22	
EBN 200-50/6	Ed 50/6	600							195															705
EBN 250-23/5	Ed 23/5	320	500						160							770	205	105	95	105	13	1,2	28	
EBN 250-30/5	Ed 30/5	450	572	95	90	115	250	18	160	135	100	185	5	65	180	810								
EBN 250-50/6	Ed 50/6	750	582						195							810	205	105	95	105	13	1,2	28	
EBN 250-80/6	Ed 80/6	1200								195														920
EBN 315-30/5	Ed 30/5	540	665						160							920	300	110	133	240	13	1,2	68	
EBN 315-50/6	Ed 50/6	1000								195	165	110	225	5	80	220								1000
EBN 315-80/6	Ed 80/6	1650			118	110	140	315	18	195	165	110	225	5	80	220								1000
EBN 315-121/6	Ed 121/6	2500	790						240							990	310	135	165	280	15	1,5	82	
EBN 400-50/6	Ed 50/6	1100	680						195							1075								
EBN 400-80/6	Ed 80/6	1700	790	150	140	167	400	22	195	195	140	270	10	100	270	1075	310	135	165	280	15	1,5	82	
EBN 400-121/6	Ed 121/6	2650								240														1065
EBN 400-201/6	Ed 201/6	4000							240							1065	370	155	210	315	20	1,5	122	
EBN 500-50/6	Ed 50/6	1090	830						195							1245								
EBN 500-80/6	Ed 80/6	1870								245	170	330	10	130	325	1245								
EBN 500-121/6	Ed 121/6	3010			190	180	210	500	22	240	245	170	330	10	130	325	1245							
EBN 500-201/6	Ed 201/6	5120							240							1245	450	150	280	170	25	2	196	
EBN 630-121/6	Ed 121/6	3040	990	236	225	250	630	27	240	300	220	410	10	170	400	1320								
EBN 630-201/6	Ed 201/6	4870	1015						240							1320	450	150	280	170	25	2	196	
EBN 630-301/6	Ed 301/6	6210								240														1320
EBN 710-121/6	Ed 121/6	3450	1120						240							1515	520	250	250	450	25	2	266	
EBN 710-201/6	Ed 201/6	5510			265	255	280	710	27	240	335	240	460	10	190	450								1515
EBN 710-301/6	Ed 301/6	6920								240														1515