

# **BREMSKERL**

The Specialist  
for Brake  
and Clutch  
Linings 

## Friction Material Products

Industrial Applications  
Commercial Vehicles

Non-Asbestos  
RoHS & REACH Compliant Materials

Manufacturer of High Quality  
Friction Materials Since 1929



Woven Roll Lining  
Flexible Molded Roll Lining  
Wire Back Roll Lining  
Flat Sheets • Strips  
Overhead Crane Linings

Machinery Brake and  
Clutch Linings

Drum Brake Linings  
Disc Brake Pads (Air)

Metric Rivets





**Founded in 1929, Bremskerl is one of the world's leading manufacturers of non-asbestos friction materials for the following markets:**

## **Commercial Vehicles**

Air disc brake pads and drum brake linings for bus, trailer, truck and special purpose vehicles (military, mobile cranes, lift-trucks, tractors and agricultural trailer axles).

## **Industrial**

Flexible molded and woven roll linings, hot and cold pressed finished and semi-manufactured parts (e.g. rings, blocks, sheets).

## **Railway Systems**

Disc brake pads and brake blocks for freight rail and transit rail; including tram, light rail, rapid transit, monorail, commuter and national rail systems.

***Bremskerl friction materials are RoHS and REACH compliant.***



## Industrial Applications

Flexible Molded Roll Lining .....	2
Wire Back Flexible Molded Roll Lining .....	3
Heavy Duty Woven Roll Lining .....	4
Cotton Woven Roll Lining .....	5
Flat Strips - Flexible & Rigid .....	6
Flat Sheets - Molded.....	7
Overhead Crane Linings (U.S. Applications) .....	8-17
DIN 15435 Overhead Crane Linings (European Applications) .....	18
Rings - Molded.....	19
Plant Machinery Linings.....	20

## Commercial Vehicle Applications

Air Disc Brake Pads .....	21-25
Mobile Crane Drum Brake Linings .....	26-28
European Heavy Haul Trailer Drum Brake Linings .....	29-30
SISU Axle Drum Brake Linings .....	31
Metric Rivets .....	32

# Flexible Molded Roll Lining

# BREMSKERL

**Bremskerl 5300, 5396, 5505, 6905**  
**Non-Asbestos**



## Benefits

- Stable at high temperatures
- Does not harden on shelf or crack when unrolled
- 99.9% cured yet still highly flexible
- Maintains design frictional characteristics after bonding

## Applications

- Industrial drum and band-brakes
- Antique vehicle drum brakes and emergency brake bands
- Marine winches
- Forklift drum brakes (Bremskerl 5300 is recommended)

## Sizes Available

**Width**  
1" – 8.85"  
(25.4mm – 225mm)

**Thickness**  
1/8" – 3/4"  
(3.18mm – 19mm)

**Length**  
32.8084' (up to 3/8" thick)  
16.4042' (1/2" thick)  
8.2' (3/4 – 5/8" thick)

## Technical Specifications

Material Quality	5300	5505	5396	6905
Coefficient of Friction (Design)	.35 $\mu$	.35 $\mu$	.35 $\mu$	.40 $\mu$
Metal Inclusion	Steel	No	Steel	No
Max. Velocity	118 ft/s	118 ft/s	98 ft/s	100 ft/s
Max. Pressure	290 lb/in <sup>2</sup>	290 lb/in <sup>2</sup>	290 lb/in <sup>2</sup>	230 lb/in <sup>2</sup>
Max. Operating Temp - Continuous	480°F	480°F	480°F	480°F
Max. Operating Temp - Intermittent	750°F	750°F	840°F	750°F
Applicable for use in Oil?	No*	No*	No*	No*

\*Occasional splashes not detrimental

Data determined by small scale brake lining tests, may not be compatible to practice and further tests may be required.

### Benefits

- Wire mesh allows full use of lining thickness
- Adding slits in lining allows formation to tighter radius

### Applications

- Industrial drum and band-brakes
- Antique vehicle drum brakes and emergency brake bands
- Marine winches
- Forklift drum brakes

### Sizes Available

<u>Width</u>	<u>Thickness</u>	<u>Length</u>
1" – 8.85" (25.4mm – 225mm)	1/8" – 3/4" (3.18mm – 19mm)	32.8084' (up to 3/8" thick) 16.4042' (1/2" thick) 8.2' (3/4 – 5/8" thick)

When ordering please specify internally or externally mounted wire back.

### Technical Specifications

<b>Material Quality</b>	<b>5300</b>
Coefficient of Friction (Design)	.35 $\mu$
Metal Inclusion	Steel
Max. Velocity	118 ft/s
Max. Pressure	290 lb/in <sup>2</sup>
Max. Operating Temp - Continuous	480°F
Max. Operating Temp - Intermittent	750°F
Applicable for use in Oil?	No*

*\*Occasional splashes not detrimental*

*Data determined by small scale brake lining tests, may not be compatible to practice and further tests may be required.*

### Benefits

- High static holding power
- Excellent fade resistance
- Low wear rate
- Not aggressive to mating surface

### Applications

- Industrial drum and band-brakes
- Antique vehicle drum brakes and emergency brake bands
- Marine winches
- Drilling equipment

### Sizes Available

<u>Width</u>	<u>Thickness</u>	<u>Length</u>
1" – 13" (25.4mm – 330mm)	5/32" – 1" (4mm – 25.4mm)	32.8084'

### Technical Specifications

<b>Material Quality</b>	<b>4500</b>
Coefficient of Friction (Design)	.39 $\mu$
Metal Inclusion	Copper
Max. Velocity	75 ft/s
Max. Pressure	290 lb/in <sup>2</sup>
Max. Operating Temp - Continuous	480°F
Max. Operating Temp - Intermittent	750°F
Applicable for use in Oil?	No*

\*Occasional splashes not detrimental

Data determined by small scale brake lining tests, may not be compatible to practice and further tests may be required.

## Bremskerl 4520 Non-Asbestos

### Benefits

- Performance equal to OEM
- Competitive pricing

### Applications

- Sugar centrifuge brake bands

### Sizes Available

#### Segments

9" wide x 3/8" thick x 28.25" long

#### Rolls

9" wide x 3/8" thick x 32.8084'

### Technical Specifications

<b>Material Quality</b>	<b>4520</b>
Coefficient of Friction (Design)	.46 $\mu$
Metal Inclusion	No
Max. Velocity	17 ft/s
Max. Pressure	290 lb/in <sup>2</sup>
Max. Operating Temp - Continuous	212°F
Max. Operating Temp - Intermittent	392°F
Applicable for use in Oil?	Not tested

*Data determined by small scale brake lining tests, may not be compatible to practice and further tests may be required.*

### Benefits

- Ideal for small runs of custom parts and high volume stampings
- Wide range of material offerings to handle various application requirements

### Applications

- Suitable for a wide range of industrial applications requiring custom shapes such as rings and segments

### Sizes Available

<u>Width</u>	<u>Thickness</u>	<u>Length</u>
8.85" (225mm)	.060" – 3/4" (1.5mm – 19mm)	33" (850mm)

### Technical Specifications

<b>Material Quality</b>	<b>4199</b>	<b>5396</b>	<b>5505</b>
Coefficient of Friction (Design)	.38 $\mu$	.35 $\mu$	.35 $\mu$
Metal Inclusion	No	Steel	No
Max. Velocity	65 ft/s	98 ft/s	118 ft/s
Max. Pressure	175 lb/in <sup>2</sup>	290 lb/in <sup>2</sup>	290 lb/in <sup>2</sup>
Max. Operating Temp - Continuous	570°F	480°F	480°F
Max. Operating Temp - Intermittent	660°F	840°F	750°F
Applicable for use in Oil?	Yes	No*	No*

\*Occasional splashes not detrimental

Data determined by small scale brake lining tests, may not be compatible to practice and further tests may be required.

Bremskerl produces multiple formulations in flat strips not listed here. Please contact our sales department at (800) 939-4047 with your application requirements.



## Bremskerl 7221, 9510 Non-Asbestos



### Benefits

- 7221 is a high coefficient material with low brass content designed for applications with heavy mechanical loads
- 9510 is an economical, general purpose material with medium coefficient for a multitude of applications
- Material can be attached by thermoset adhesive or mechanical retention like rivets

### Applications

- Suitable for a wide range of industrial brake and clutch applications requiring custom shapes

### Sizes Available

	<u>Width x Length</u>	<u>Thickness</u>
<b>7221</b>	18" x 18" (460mm x 460mm)	.078" - 3"
<b>7221</b>	22.8" x 29.5" (580mm x 750mm)	3/16" - 1"
<b>9510</b>	22" x 22" (558mm x 558mm)	3/16", 1/4", 5/16", 3/8", 1/2", 5/8", 3/4"

### Technical Specifications

<b>Material Quality</b>	<b>7221</b>	<b>9510</b>
Coefficient of Friction (Design)	.42 $\mu$	.34 $\mu$
Metal Inclusion	Brass	No
Max. Velocity	65 ft/s	98 ft/s
Max. Pressure	360 lb/in <sup>2</sup>	189 lb/in <sup>2</sup>
Max. Operating Temp - Continuous	480°F	302°F
Max. Operating Temp - Intermittent	750°F	572°F
Applicable for use in Oil?	No*	No*

\*Occasional splashes not detrimental

Data determined by small scale brake lining tests, may not be compatible to practice and further tests may be required.

Bremskerl produces multiple formulations in flat sheets not listed here. Please contact our sales department at (800) 939-4047 with your application requirements.

All linings are supplied undrilled. The following is a list of stocked linings; if you require a size not listed please allow 24-48 hours for turn-around. Alternatively, Bremskerl 4818 and 5396 are available in roll form; please refer to page 2 for more information.

For DIN 15435 (European Spec.) overhead crane linings please refer to page 18.

When ordering please provide as much dimensional data below as known, alternatively we can cross-reference some competitor part numbers.

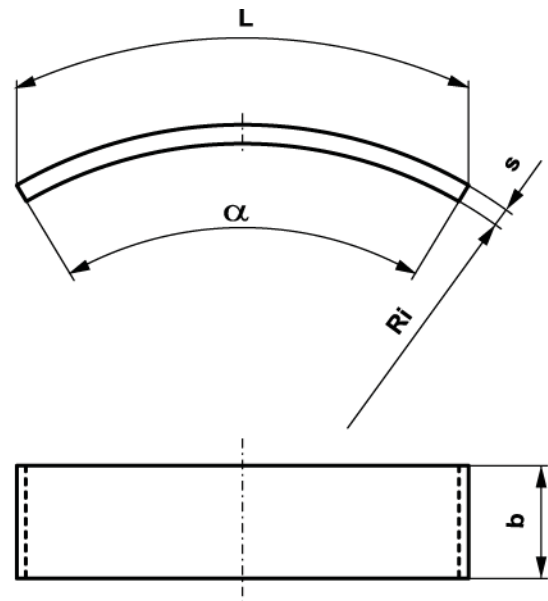
### Technical Specifications

Material Quality	4818	5396
Coefficient of Friction (Design)	.40 $\mu$	.35 $\mu$
Metal Inclusion	Steel	Steel
Max. Velocity	160 ft/s	98 ft/s
Max. Pressure	230 lb/in <sup>2</sup>	290 lb/in <sup>2</sup>
Max. Operating Temp - Continuous	480 °F	480 °F
Max. Operating Temp - Intermittent	840 °F	840 °F
Applicable for use in Oil?	No*	No*

\*Occasional splashes not detrimental

Data determined by small scale brake lining tests, may not be compatible to practice and further tests may be required.

- 1 ) Quantity ..... pieces
- 2 ) Lining Width            b ..... in
- 3 ) Lining Thickness        s ..... in
- 4 ) Long Arc Length        L ..... in
- 5 ) Drum Diameter         D ..... in  
    or  
    inside lining radius    Ri ..... in
- 6 ) Inside arc length         $\alpha$  .....



#### 5" Drum Diameter

Thickness	Width	Long Arc
0.25"	2.75"	4.50"

#### 6" Drum Diameter

Thickness	Width	Long Arc
0.25"	3.00"	4.00"
0.25"	3.00"	5.25"
0.25"	3.25"	4.93"
0.375"	3.00"	5.3125"
0.375"	4.00"	5.25"

#### 7" Drum Diameter

Thickness	Width	Long Arc
0.25"	3.00"	2.875"
0.25"	4.00"	6.50"
0.375"	4.00"	6.00"
0.50"	3.00"	6.50"

#### 8" Drum Diameter

Thickness	Width	Long Arc
0.25"	3.00"	3.25"
0.25"	3.00"	5.25"
0.25"	3.00"	5.375"
0.25"	3.00"	6.625"
0.25"	3.00"	6.75"
0.25"	3.00"	6.875"
0.25"	3.00"	8.5"
0.3125"	3.00"	6.75"
0.375"	3.00"	6.1875"
0.375"	3.00"	6.63"

### 8" Drum Diameter

Thickness	Width	Long Arc
0.375"	3.00"	6.75"
0.375"	3.50"	7.0625"
0.375"	3.50"	8.50"

### 8.5" Drum Diameter

Thickness	Width	Long Arc
0.25"	3.50"	7.75"

### 9" Drum Diameter

Thickness	Width	Long Arc
0.375"	4.00"	7.625"

### 9.5" Drum Diameter

Thickness	Width	Long Arc
0.3125"	3.50"	3.72"

### 10" Drum Diameter

Thickness	Width	Long Arc
0.25"	3.00"	8.375"
0.25"	4.00"	9.125"
0.3125"	3.50"	4.125"
0.3125"	3.50"	6.50"
0.3125"	3.50"	6.625"
0.3125"	3.50"	7.625"
0.3125"	4.00"	7.75"
0.375"	3.50"	6.625"
0.375"	3.50"	7.5625"
0.375"	3.50"	8.25"
0.375"	3.50"	8.375"
0.375"	3.50"	8.50"

### 10" Drum Diameter

Thickness	Width	Long Arc
0.375"	4.00"	8.25"
0.375"	4.00"	8.75"
0.375"	4.50"	9.125"
0.375"	5.00"	8.50"
0.50"	3.50"	8.50"
0.50"	4.00"	8.50"

### 11" Drum Diameter

Thickness	Width	Long Arc
0.375"	4.00"	9.00"
0.375"	4.50"	9.25"

### 12" Drum Diameter

Thickness	Width	Long Arc
0.375"	4.00"	9.875"
0.375"	4.50"	12.75"
0.375"	6.00"	10.00"

### 12.5" Drum Diameter

Thickness	Width	Long Arc
0.3125"	3.25"	14.75"

### 13" Drum Diameter

Thickness	Width	Long Arc
0.25"	5.00"	10.00"
0.25"	5.00"	11.75"
0.375"	4.00"	4.75"
0.375"	5.00"	10.625"
0.375"	5.50"	5.4375"
0.375"	5.50"	8.00"

### 13" Drum Diameter

Thickness	Width	Long Arc
0.375"	5.50"	8.1875"
0.375"	5.50"	10.50"
0.375"	5.50"	10.75"
0.375"	5.50"	11.50"
0.375"	6.00"	11.00"
0.4375"	5.50"	8.75"
0.50"	3.50"	5.4375"
0.50"	5.25"	5.75"
0.50"	5.25"	11.00"
0.50"	5.50"	5.4375"
0.50"	5.50"	9.83"
0.50"	5.50"	10.625"
0.50"	5.50"	10.75"
0.50"	5.50"	11.00"
0.50"	6.00"	11.625"

### 13.25" Drum Diameter

Thickness	Width	Long Arc
0.50"	4.25"	5.50"

### 13.5" Drum Diameter

Thickness	Width	Long Arc
0.375"	5.75"	10.75"
0.375"	5.75"	11.125"

### 14" Drum Diameter

Thickness	Width	Long Arc
0.25"	6.00"	11.00"
0.375"	4.50"	8.00"

## 14" Drum Diameter

Thickness	Width	Long Arc
0.375"	5.00"	11.50"
0.375"	5.50"	10.6875"
0.375"	6.00"	11.625"
0.375"	6.50"	13.3125"
0.50"	4.50"	11.625"
0.50"	6.00"	11.375"
0.50"	6.00"	11.75"

## 15" Drum Diameter

Thickness	Width	Long Arc
0.50"	6.50"	13.625"

## 16" Drum Diameter

Thickness	Width	Long Arc
0.375"	6.00"	13.625"
0.375"	6.50"	10.25"
0.375"	6.50"	12.94"
0.375"	6.50"	13.25"
0.375"	6.50"	13.375"
0.375"	7.00"	13.00"
0.50"	4.00"	10.00"
0.50"	4.50"	13.00"
0.50"	6.50"	10.5625"
0.50"	6.50"	12.75"
0.50"	6.50"	13.00"
0.50"	6.50"	13.25"
0.50"	6.50"	13.375"
0.50"	6.50"	13.50"

### 16" Drum Diameter

Thickness	Width	Long Arc
0.50"	6.50"	11.9375"
0.50"	8.00"	16.00"
0.5625"	6.50"	10.719"
0.625"	6.50"	6.36"
0.625"	6.50"	6.75"
0.625"	6.50"	13.10"
0.75"	6.00"	13.75"

### 17" Drum Diameter

Thickness	Width	Long Arc
0.625"	6.25"	7.10"

### 18" Drum Diameter

Thickness	Width	Long Arc
0.375"	6.00"	14.75"
0.375"	6.00"	15.125"
0.375"	6.00"	14.75"
0.375"	6.00"	15.125"
0.375"	7.00"	14.50"
0.50"	8.00"	14.75"
0.625"	6.50"	7.375"
0.75"	8.00"	15.00"

### 19" Drum Diameter

Thickness	Width	Long Arc
0.375"	8.50"	15.50"
0.50"	8.00"	15.50"
0.50"	8.50"	12.1875"
0.50"	8.50"	15.50"



## 19" Drum Diameter

Thickness	Width	Long Arc
0.625"	8.50"	7.60"
0.625"	8.50"	7.875"
0.625"	8.50"	12.625"
0.625"	8.50"	14.1875"
0.625"	8.50"	15.50"

## 20" Drum Diameter

Thickness	Width	Long Arc
0.375"	8.00"	16.00"
0.50"	8.25"	16.00"
0.625"	8.00"	16.75"

## 21" Drum Diameter

Thickness	Width	Long Arc
0.375"	7.00"	17.375"
0.50"	7.00"	13.50"
0.625"	7.00"	8.625"

## 22" Drum Diameter

Thickness	Width	Long Arc
0.375"	8.50"	15.50"
0.50"	6.00"	15.50"

## 23" Drum Diameter

Thickness	Width	Long Arc
0.375"	11.00"	16.00"
0.375"	11.00"	18.75"
0.50"	9.00"	18.75"
0.50"	11.00"	14.50"
0.50"	11.00"	14.75"

### 23" Drum Diameter

Thickness	Width	Long Arc
0.50"	11.00"	18.00"
0.50"	11.00"	18.75"
0.625"	8.00"	9.4375"
0.625"	11.00"	9.50"
0.625"	11.00"	17.00"
0.625"	11.00"	18.75"
0.75"	5.4375"	9.5625"
0.75"	11.00"	6.20"
0.75"	11.00"	7.50"
0.75"	11.00"	9.5625"
0.75"	11.00"	18.50"
0.75"	11.00"	18.75"
0.75"	11.00"	19.25"
0.75"	11.00"	19.50"

### 24" Drum Diameter

Thickness	Width	Long Arc
0.375"	6.00"	14.00"

### 26" Drum Diameter

Thickness	Width	Long Arc
0.75"	10.00"	10.75"

### 30" Drum Diameter

Thickness	Width	Long Arc
0.375"	6.00"	24.125"
0.375"	8.00"	24.625"
0.375"	14.00"	24.00"
0.625"	14.00"	12.3125"

<b>30" Drum Diameter</b>		
<b>Thickness</b>	<b>Width</b>	<b>Long Arc</b>
0.75"	6.1875"	12.3125"
0.75"	6.9375"	12.3125"
0.75"	7.00"	12.3125"
0.75"	14.00"	12.3125"

### Benefits

- OE quality material
- Material designed for high energy applications

### Applications

- DIN 15435 drum brakes

### Sizes Available

<u>Bremserl Part #</u>	<u>Width x Thickness x Long Arc</u>	<u>Drum Diameter</u>
53870001	70mm x 8mm x 132mm	200mm
53870003	90mm x 8mm x 162mm	250mm
53870005	110mm x 10mm x 204mm	315mm
53870007	140mm x 10mm x 256mm	400mm
53870009	180mm x 12mm x 300mm	500mm
53870011	225mm x 12mm x 400mm	630mm
53870037	225mm x 15mm x 452mm	710mm

### Technical Specifications

<b>Material Quality</b>	<b>5387</b>
Coefficient of Friction (Design)	.40 $\mu$
Metal Inclusion	Steel
Max. Velocity	82 ft/s
Max. Pressure	230 lb/in <sup>2</sup>
Max. Operating Temp - Continuous	480°F
Max. Operating Temp - Intermittent	750°F
Applicable for use in Oil?	Yes

*Data determined by small scale brake lining tests, may not be compatible to practice and further tests may be required.*

### Benefits

- Rings premade to specific sizes
- Allows you to turn to size without scraping material from plates

### Applications

- Suitable for a wide range of industrial applications

### Sizes Available

**O.D. x I.D.**  
10.11" x 7.85"  
10.35" x 3.81"  
11.16" x 6.37"

**Thickness**  
3/16" and 1/4"

### Technical Specifications

<b>Material Quality</b>	<b>4199</b>	<b>6230</b>
Coefficient of Friction (Design)	.38 $\mu$	.42 $\mu$
Metal Inclusion	No	No
Max. Velocity	65 ft/s	98 ft/s
Max. Pressure	175 lb/in <sup>2</sup>	290 lb/in <sup>2</sup>
Max. Operating Temp - Continuous	570°F	480°F
Max. Operating Temp - Intermittent	660°F	750°F
Applicable for use in Oil?	Yes	No*

*\*Occasional splashes not detrimental*

*Data determined by small scale brake lining tests, may not be compatible to practice and further tests may be required.*

### Benefits

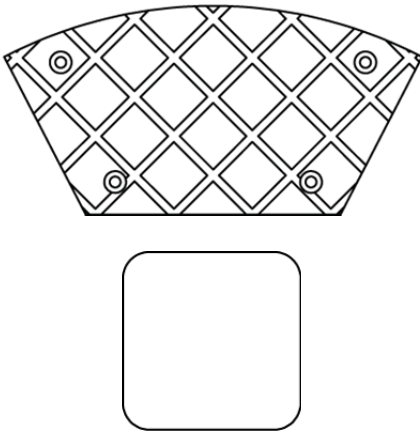
- Original Equipment material for many applications
- Lower wear when compared to aftermarket materials
- Exact fit

### Applications

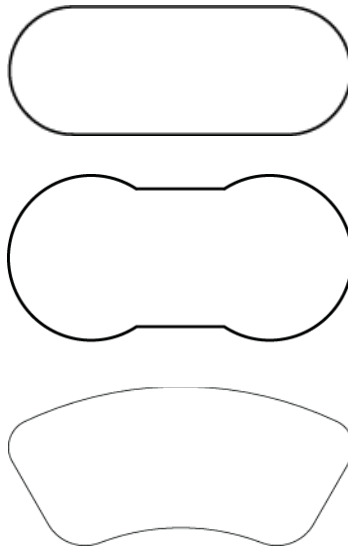
- Paper Machinery (example: Goss, Voith)
- Brake/Clutch Combinations (example: Desch, Ortlinghaus)
- Wire Stranding Machines (example: Stolberger)

### Sizes Available

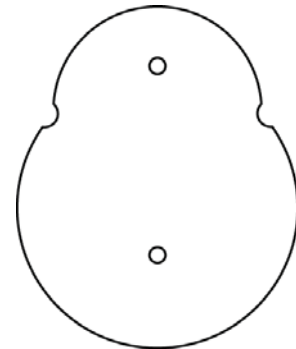
**Pads/Segments**



**Pucks**



**Snowmen**



Please contact our sales department at (800) 939-4047 regarding specific applications.

# Air Disc Brake Pads

# **BREMSKERL**

**Bremskerl 8040 / 8010**  
**Non-Asbestos**



## Benefits

- FMVSS 121 Approved Materials at 23,000 lbs. and 28,600 lbs. axle rating
- ECE R90 Approved Materials
- Low wear to rotor
- Break-in surface coating provides excellent performance right out of the box
- Axle sets include 4 pads and installation accessories

## Applications

- Coach and Transit Bus
- Truck, Trailer and Refuse

## Caliper Application Guide

<u>Brake Caliper</u>	<u>Bremskerl Part #</u>
Bendix ADB22X™ Knorr SK7™	<b>80400016</b>
Haldex DB22	<b>80060046</b> <b>80100026</b>
Knorr SB6™	<b>80100010</b> <b>80400023</b>
Knorr SB7™ Knorr SN7™	<b>80100008</b> <b>80400017</b>
Meritor EX225 H2	<b>80100024</b> <b>80400015</b>
Meritor Lucas D3 Meritor Lucas D-ELSA	<b>80100022</b> <b>80400020</b>
Meritor Lucas D-ELSA 2	<b>80100013</b> <b>80400018</b>
Meritor Lucas D-LISA	<b>80100021</b> <b>80400019</b>
WABCO PAN 17™	<b>80100020</b> <b>80400022</b>
WABCO PAN 19-1 Plus™ WABCO MAXX™ 19	<b>80100011</b> <b>80400024</b>
WABCO PAN 22-1™ WABCO MAXX™ 22	<b>80100023</b> <b>80400025</b>

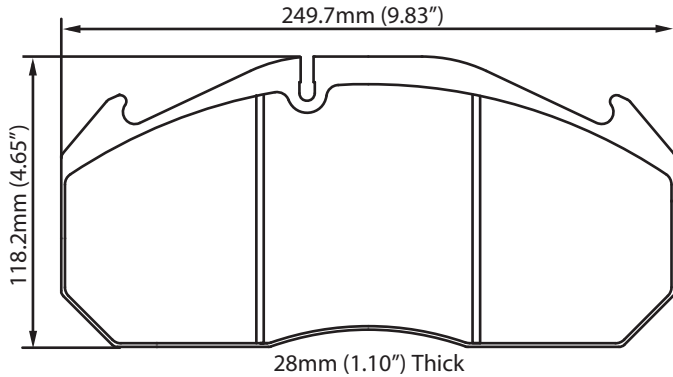
# Air Disc Brake Pads

# BREMSKERL

**Bremskerl 8040 / 8010**  
**Non-Asbestos**



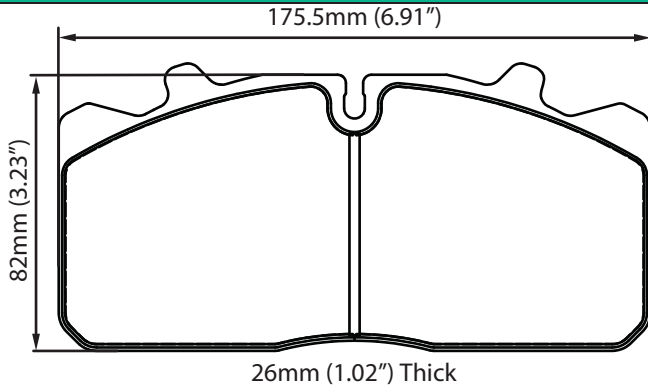
## WVA 29030



**Bremskerl 8010 Part #: 80100022**  
**Bremskerl 8040 Part #: 80400020**  
**Brake Caliper: Meritor D3 / D-ELSA**

Spring bars & fitting kit accessories included

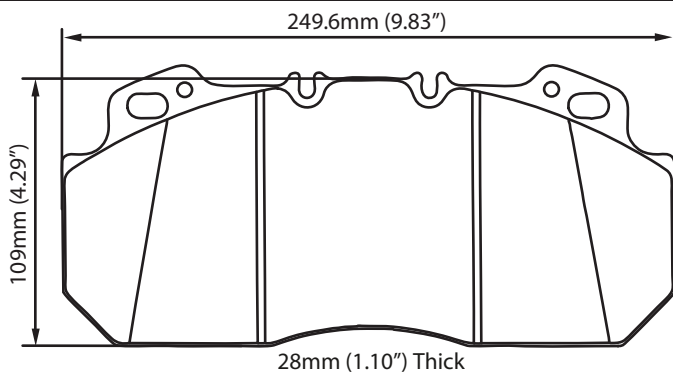
## WVA 29088



**Bremskerl 8010 Part #: 80100020**  
**Bremskerl 8040 Part #: 80400022**  
**Brake Caliper: WABCO PAN 17™**

Spring bars & fitting kit accessories included

## WVA 29090



**Bremskerl 8010 Part #: 80100021**  
**Bremskerl 8040 Part #: 80400019**  
**Brake Caliper: Meritor Lucas D-Lisa**

Spring bars & fitting kit accessories included



# Air Disc Brake Pads

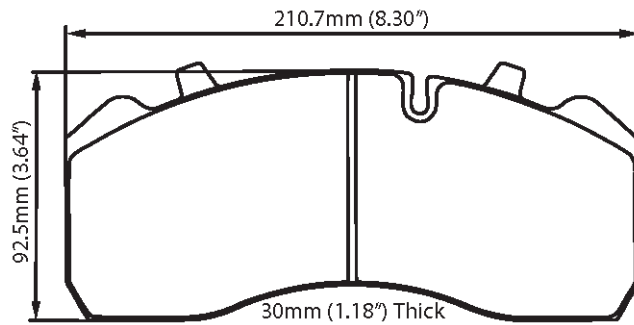
# BREMSKERL

The Specialist  
for Brake  
and Clutch  
Linings

## Bremskerl 8040 / 8010

### Non-Asbestos

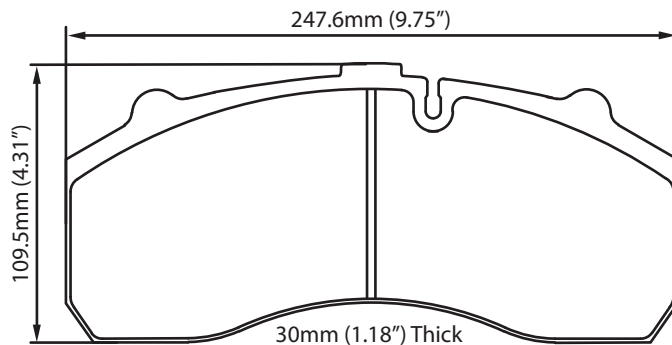
#### WVA 29093



**Bremskerl 8010 Part #: 80100010**  
**Bremskerl 8040 Part #: 80400023**  
**Brake Caliper: Knorr SB6™**

Spring bars, hold down bars & fitting kit accessories included

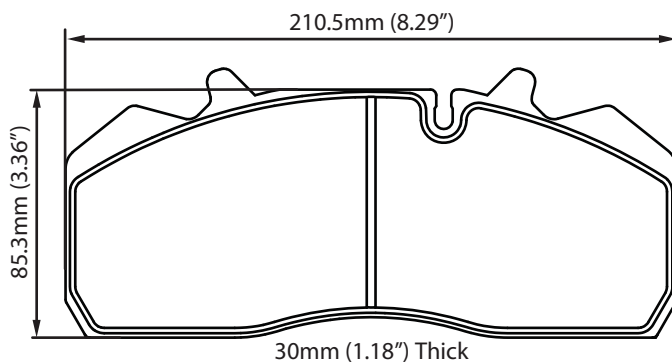
#### WVA 29106 / 29087



**Bremskerl 8010 Part #: 80100008**  
**Bremskerl 8040 Part #: 80400017**  
**Brake Caliper: Knorr SB7™ / SN7™**

Spring bars, hold down bars & fitting kit accessories included

#### WVA 29126



**Bremskerl 8010 Part #: 80100011**  
**Bremskerl 8040 Part #: 80400024**  
**Brake Caliper: WABCO PAN 19-1 Plus™ / MAXX™ 19**

Spring bars & fitting kit accessories included

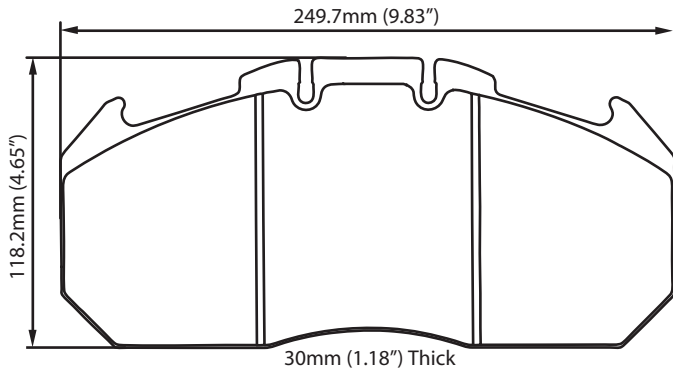
# Air Disc Brake Pads

# BREMSKERL

**Bremskerl 8040 / 8010**  
**Non-Asbestos**



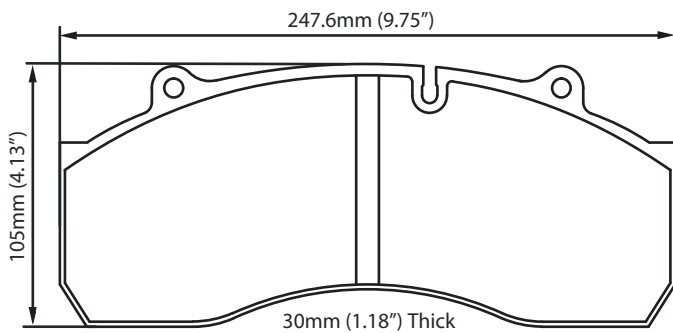
## WVA 29131



**Bremskerl 8010 Part #: 80100013**  
**Bremskerl 8040 Part #: 80400018**  
**Brake Caliper: Meritor Lucas Elsa-2**

Spring bars & fitting kit accessories included

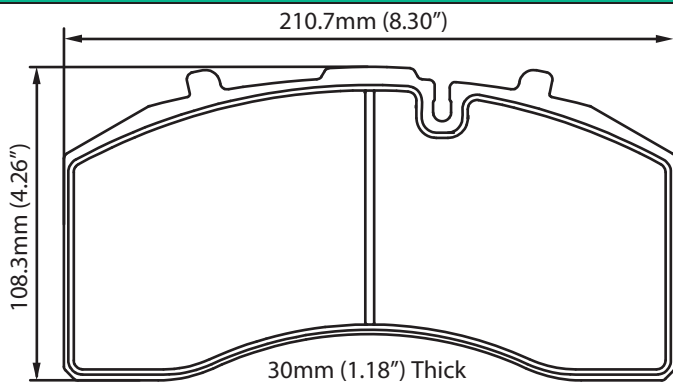
## WVA 29143



**Bremskerl 8010 Part #: 80100026**  
**Bremskerl 8006 Part #: 80060046**  
**Brake Caliper: Haldex DB22**

Spring bars & fitting kit accessories included

## WVA 29158



**Bremskerl 8040 Part #: 80400016**  
**Brake Caliper: Knorr SK7™ / Bendix ADB22X™**

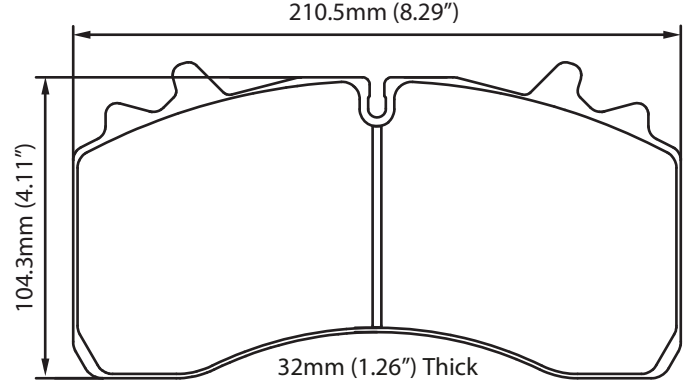
Spring bars, hold down bars & fitting kit accessories included

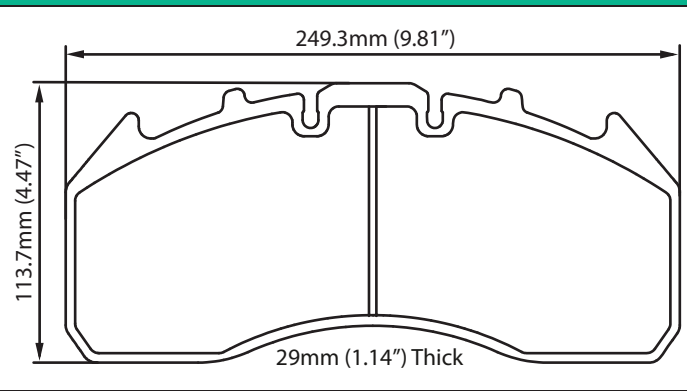
# Air Disc Brake Pads

# BREMSKERL

**Bremskerl 8040 / 8010**  
**Non-Asbestos**

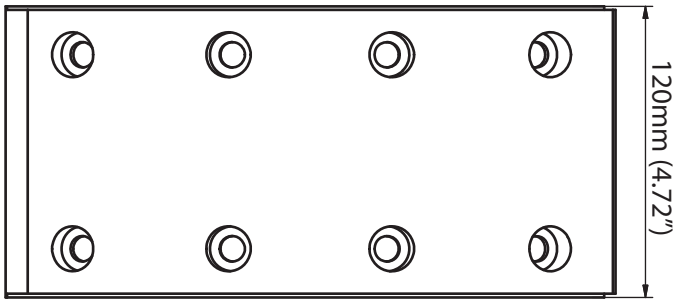
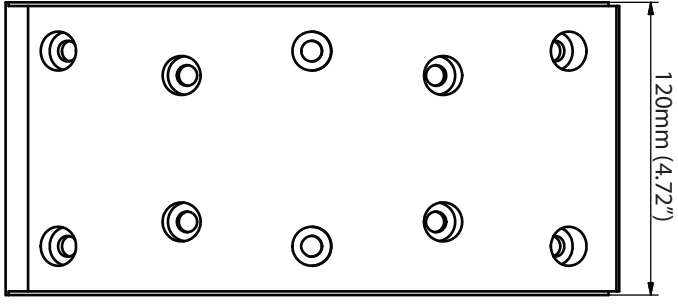
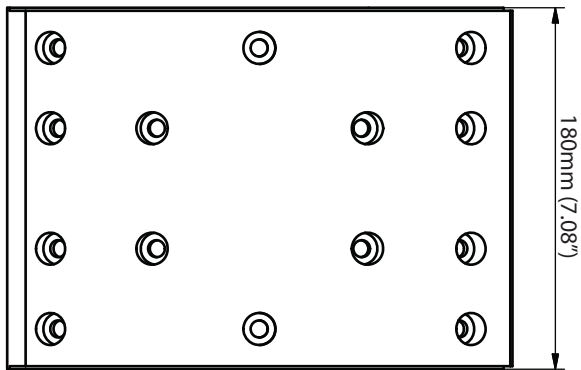


WVA 29162	
	<p><b>Bremskerl 8010 Part #: 80100023</b> <b>Bremskerl 8040 Part #: 80400025</b> <b>Brake Caliper: WABCO PAN 22-1™ / MAXX™ 22</b></p> <p>Spring bars &amp; fitting kit accessories included</p>

WVA 29187	
	<p><b>Bremskerl 8010 Part #: 80100024</b> <b>Bremskerl 8040 Part #: 80400015</b> <b>Brake Caliper: Meritor EX225 H2</b></p> <p>Spring bars &amp; fitting kit accessories included</p>

**Bremskerl 6275:** .43μ (design), Original Equipment Lining

**Applications** All-Terrain Cranes: Terex/Demag AC, Grove GMK, Krupp KMK, Liebherr LTM, Tadano Faun ATF, Linkbelt ATC

WVA 17237	
	<p><b>Bremskerl Part #:</b> 62750082  <b>Brake Type:</b> 500 x 120  <b>Lining width:</b> 120mm (~4.72")  <b>Drum diameter:</b> 500mm (19.68")  <b>Rivets required per lining:</b> 8  <b>Rivet size:</b> DIA. 10 x L 18</p>
WVA 17374	
	<p><b>Bremskerl Part #:</b> 62750133  <b>Brake Type:</b> 500 x 120  <b>Lining width:</b> 120mm (~4.72")  <b>Drum diameter:</b> 500mm (19.68")  <b>Rivets required per lining:</b> 10  <b>Rivet size:</b> DIA. 8 x L 20</p>
WVA 19041	
	<p><b>Bremskerl Part #:</b> 62750135  <b>Brake Type:</b> 500 x 180  <b>Lining width:</b> 180mm (~7.08")  <b>Drum diameter:</b> 500mm (19.68")  <b>Rivets required per lining:</b> 14  <b>Rivet size:</b> DIA. 8 x L 20</p>

## Bremskerl 6275 Non-Asbestos



**Bremskerl 6275:** .43μ (design), Original Equipment Lining

**Applications** All-Terrain Cranes: Terex/Demag AC, Grove GMK, Krupp KMK, Liebherr LTM, Tadano Faun ATF, Linkbelt ATC

WVA 19042	
	<p><b>Bremskerl Part #:</b> 62750134  <b>Brake Type:</b> 500 x 160  <b>Lining width:</b> 160mm (~6.30")  <b>Drum diameter:</b> 500mm (19.68")  <b>Rivets required per lining:</b> 10  <b>Rivet size:</b> DIA. 8 x L 20</p>

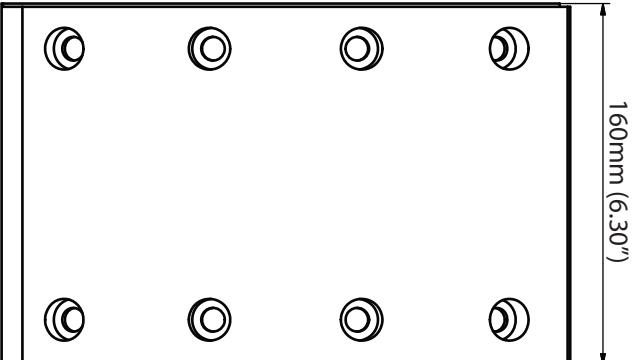
WVA 19113	
	<p><b>Bremskerl Part #:</b> 62750139  <b>Brake Type:</b> 410 x 180  <b>Lining width:</b> 180mm (~7.08")  <b>Drum diameter:</b> 410mm (16.14")  <b>Rivets required per lining:</b> 10  <b>Rivet size:</b> DIA. 8 x L 20</p>

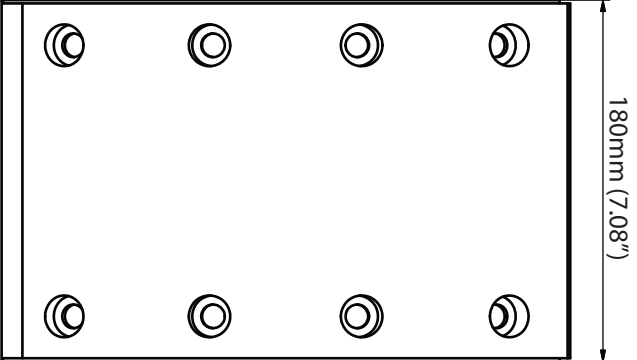
WVA 19723	
	<p><b>Bremskerl Part #:</b> 62750094  <b>Brake Type:</b> 410 x 180  <b>Lining width:</b> 180mm (~7.08")  <b>Drum diameter:</b> 410mm (16.14")  <b>Rivets required per lining:</b> 8  <b>Rivet size:</b> DIA. 10 x L 18</p>

**Bremskerl 6275:** .43μ (design), Original Equipment Lining

**Applications**

All-Terrain Cranes: Terex/Demag AC, Grove GMK, Krupp KMK, Liebherr LTM, Tadano Faun ATF, Linkbelt ATC

WVA 19687	
	<p><b>Bremskerl Part #:</b> 62750086  <b>Brake Type:</b> 500 x 160  <b>Lining width:</b> 160mm (~6.30")  <b>Drum diameter:</b> 500mm (19.68")  <b>Rivets required per lining:</b> 8  <b>Rivet size:</b> DIA. 10 x L 18</p>

WVA 19690	
	<p><b>Bremskerl Part #:</b> 62750090  <b>Brake Type:</b> 500 x 180  <b>Lining width:</b> 180mm (~7.08")  <b>Drum diameter:</b> 500mm (19.68")  <b>Rivets required per lining:</b> 8  <b>Rivet size:</b> DIA. 10 x L 18</p>

## Bremskerl 6386 Non-Asbestos



**Bremskerl 6386:** .40μ (design), Original Equipment Lining

**Applications** Axles: SAF, BPW  
Heavy Haul, Modular and Self-Propelled Trailers

WVA 19032	
	<p><b>Bremskerl Part #:</b> 63860526  <b>Brake Type:</b> SNF &amp; BPW 420 x 180  <b>Lining width:</b> 180mm (~7.08")  <b>Drum diameter:</b> 420mm (16.54")  <b>Rivets required per lining:</b> 10</p>
WVA 19094	
	<p><b>Bremskerl Part #:</b> 63860529  <b>Brake Type:</b> 420 x 200  <b>Lining width:</b> 200mm (~7.87")  <b>Drum diameter:</b> 420mm (16.54")  <b>Rivets required per lining:</b> 10</p>
WVA 19515 / 19516	
	<p><b>Bremskerl Part #:</b> 63860129  <b>Brake Type:</b> 300 x 200  <b>Lining width:</b> 200mm (~7.87")  <b>Drum diameter:</b> 300mm (11.81")  <b>Rivets required per lining:</b> 8</p>

## Bremskerl 6386 Non-Asbestos



**Bremskerl 6386:** .40μ (design), Original Equipment Lining

**Applications** Axles: SAF, BPW  
Heavy Haul, Modular and Self-Propelled Trailers

WVA 19517 / 19518	
	<p><b>Bremskerl Part #:</b> 63860132  <b>Brake Type:</b> 300 x 150  <b>Lining width:</b> 150mm (~5.09")  <b>Drum diameter:</b> 300mm (11.81")  <b>Rivets required per lining:</b> 8</p>
WVA 19573	
	<p><b>Bremskerl Part #:</b> 63860470  <b>Brake Type:</b> 300 x 150  <b>Lining width:</b> 150mm (~5.09")  <b>Drum diameter:</b> 300mm (11.81")  <b>Rivets required per lining:</b> 8</p>
WVA 19574	
	<p><b>Bremskerl Part #:</b> 63860371  <b>Brake Type:</b> 300 x 200  <b>Lining width:</b> 200mm (~7.87")  <b>Drum diameter:</b> 300mm (11.81")  <b>Rivets required per lining:</b> 8</p>

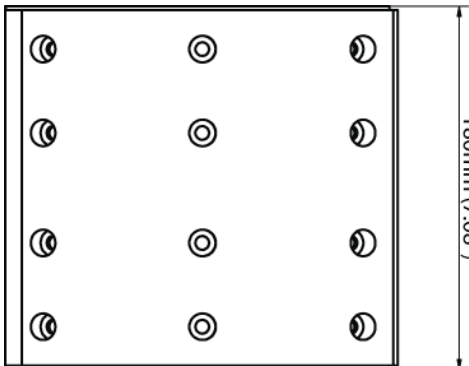


## Bremskerl 6500 Non-Asbestos

**Bremskerl 6500:** .40μ (design), Original Equipment Lining

**Applications** SISU Axles SRDP-30-S

Yard Trucks / Terminal Tractors (Balqon, Capacity of Texas,  
Kalmar, TICO)

	<p><b>Bremskerl Part #:</b> 65000075-76 <b>Brake Type:</b> 410 x 180 <b>Lining width:</b> 180mm (~7.08") <b>Drum diameter:</b> 410mm (~16.14")</p>
--	--

Size	Description	Quantity/Package
------	-------------	------------------

### Semi-Tubular

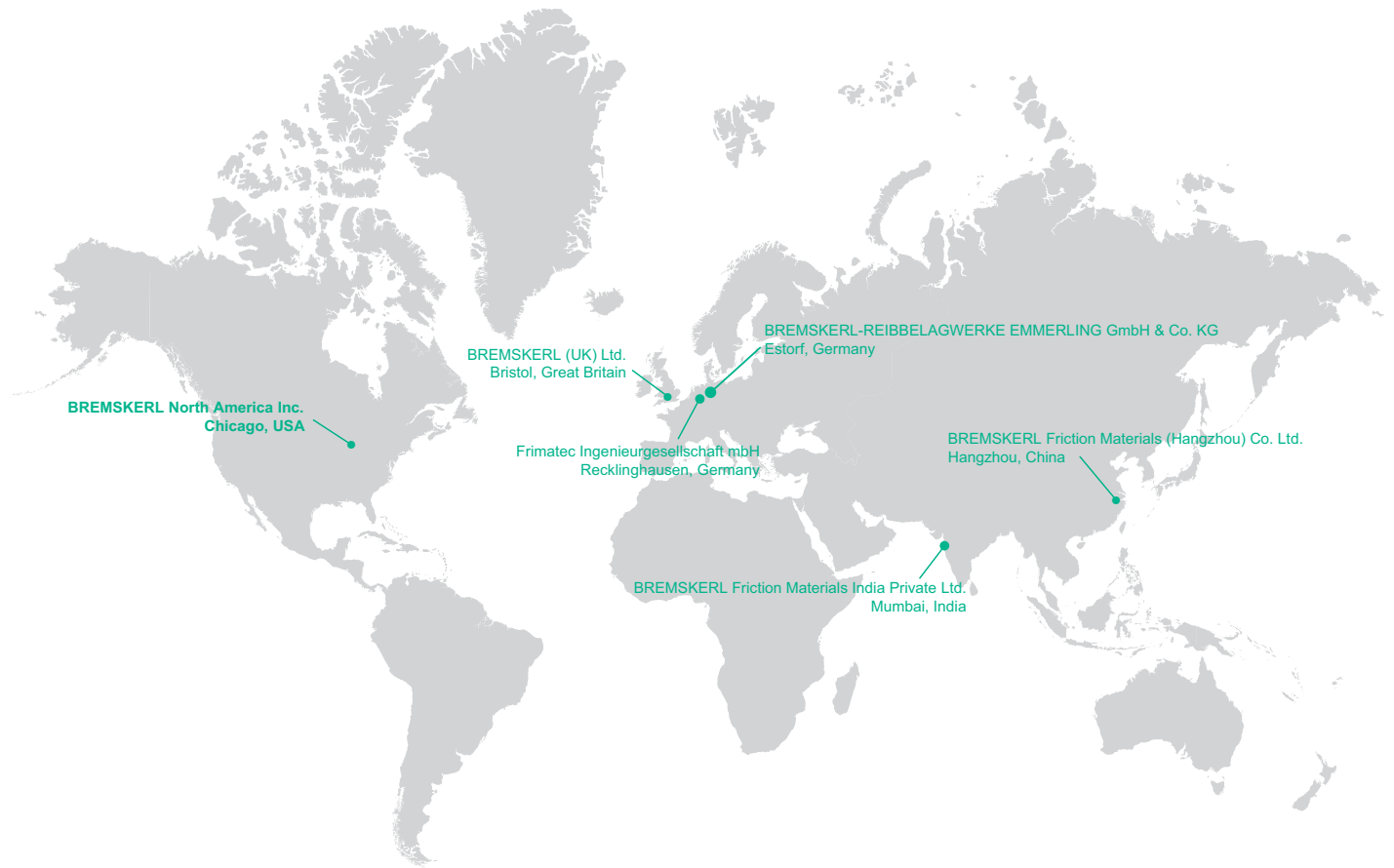
8x15mm	Zinc plated steel	100/bag
8x18mm	Zinc plated steel	100/bag
8x20mm	Copper coated steel	100/bag
10x18mm	Copper coated steel	100/bag

### Fully Tubular

8x15mm	Zinc plated steel	100/bag or bulk
8x20mm	Die-point, zinc plated steel	100/bag or bulk
10x16mm	Zinc plated steel	100/bag or bulk
10x17mm	Zinc plated steel	100/bag or bulk
10x18mm	Zinc plated steel	100/bag or bulk
10x20mm	Zinc plated steel	100/bag or bulk

*Other metric rivet sizes are available by special order. The minimum for special order is 5,000pcs.*





**BREMSKERL North America Inc.**  
Chicago, USA

**BREMSKERL (UK) Ltd.**  
Bristol, Great Britain

**BREMSKERL-REIBBELAGWERKE EMMERLING GmbH & Co. KG**  
Estorf, Germany

**Frimatec Ingenieurgesellschaft mbH**  
Recklinghausen, Germany

**BREMSKERL Friction Materials (Hangzhou) Co. Ltd.**  
Hangzhou, China

**BREMSKERL Friction Materials India Private Ltd.**  
Mumbai, India

There is a name for reliable friction linings

### **BREMSKERL NORTH AMERICA, INC.**

Contact Information:

Phone: (800) 939-4047

Fax: (630) 540-2791

E-mail: [sales@bremskerl.com](mailto:sales@bremskerl.com)

Operations and administration:

1291 Humbracht Circle

Bartlett, IL 60103

USA

[www.bremskerl.com](http://www.bremskerl.com)

***BREMSKERL***

The Specialist  
for Brake  
and Clutch  
Linings

